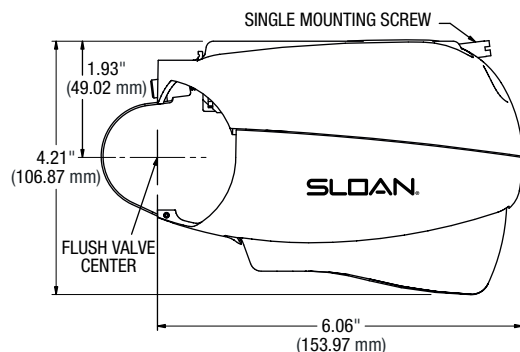
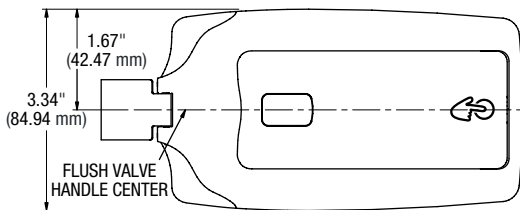


SMOOTH™

Side-Mount-Operator-Over-The-Handle

SMOOTH™ FLUSHOMETER RETROFIT KIT



The SJS-200-A SMOOTH™ (Side-Mount-Operator-Over-The-Handle) battery-operated, Flushometer retrofit kit is the next generation in flush valve technology. SMOOTH turns most manual valves into an electronic Flushometer in seconds.

No Assembly Needed

SMOOTH works out of the box. Slide it over the handle, click on the clamp and secure SMOOTH on the handle.

- No need to turn off water to install
- Adaptive sensing
- Utilizes four "C" batteries
- Left or right handle installation
- Only tool needed – standard screwdriver



SMOOTH automatically adjusts to the surroundings, and will adapt when the surroundings change.

- Status indicator light
- Low battery indicator
- SMOOTH sleeps when the restroom is dark – extending battery life



Features:

- True manual over-ride
- 20-80 psi normal operating range
- Adaptive sensing
- Four replaceable C batteries (included)
- Ready to install right from the box

Product Number: SJS-200-A

Product Code: 7000012

Color: Chrome

Size: W 6.06" x D 4.21" x H 3.34"
(W 153.97 mm x D 106.87 mm x H 84.94 mm)

Quantity/pack: 1

Quantity/case: 6

The information contained in this document is subject to change without notice.

SLOAN JANSAN

A Division of Sloan Valve Company
10500 Seymour Avenue
Franklin Park, IL 60131-1259
Phone: 877-6-JANSAN (877-652-6726)
Fax: 800-447-8329
www.sloanjansan.com

©2005 Sloan Valve Company
Sloan JANSAN
A Division of Sloan Valve Company
Printed in the U.S.A. JSD6008 9/05

SJS-200-A

Sloan already has a presence in your restroom. The confidence expressed in the Sloan brand throughout the years is a result of focus on quality and reliability. Sloan's JANSAN Division offers total control over restroom hygiene. Sloan offers a variety of solutions to meet your restroom needs. Every product is engineered to deliver outstanding performance, with the most trusted name in the industry.

There is no better choice than Sloan.



SJS-200-A
SMOOTH™
battery-operated
Flushometer retrofit kit
Patent pending



SJS-1000
Manual, wall-mount liquid
soap dispenser



SJS-1050
Sensor, wall-mount
liquid soap dispenser



SJS-1100
Manual, wall-mount
foam soap dispenser



SJS-1200
Wall-mount fragrance
gel dispenser



SJS-1300
In-line fixture
cleaner/deodorizer
Patent pending



SJS-1400
Manual, wall-mount
hand sanitizer
dispenser



SJS-1500
Manual surface
cleaner



SJS-1650
Sensor, deck-mount
liquid soap dispenser

The information contained in this document is subject to change without notice.

SLOAN JANSAN
A Division of Sloan Valve Company
10500 Seymour Avenue
Franklin Park, IL 60131-1259
Phone: 877-6-JANSAN (877-652-6726)
Fax: 800-447-8329
www.sloanjansan.com

©2005 Sloan Valve Company
Sloan JANSAN
A Division of Sloan Valve Company
Printed in the U.S.A. JSD6008 9/05